

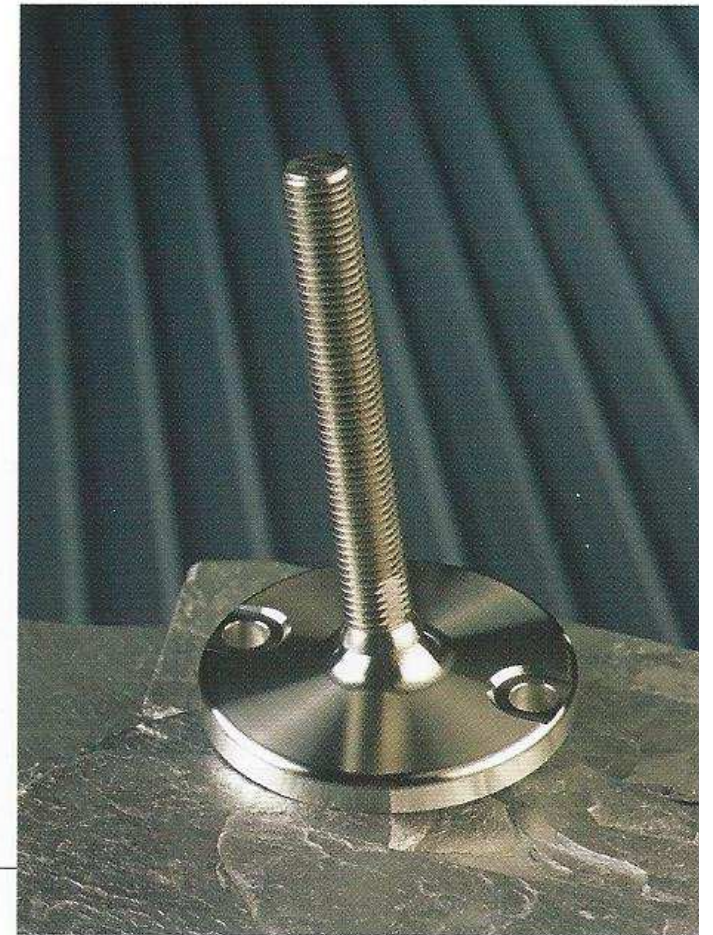
# STAINLESS STEEL SOLID MACHINE FEET

## TYPE HJ

This high load capacity model has two fixing holes, and admits up to 9° slopes on floors and equipment.

Smoothly rounded design for ease of cleaning.

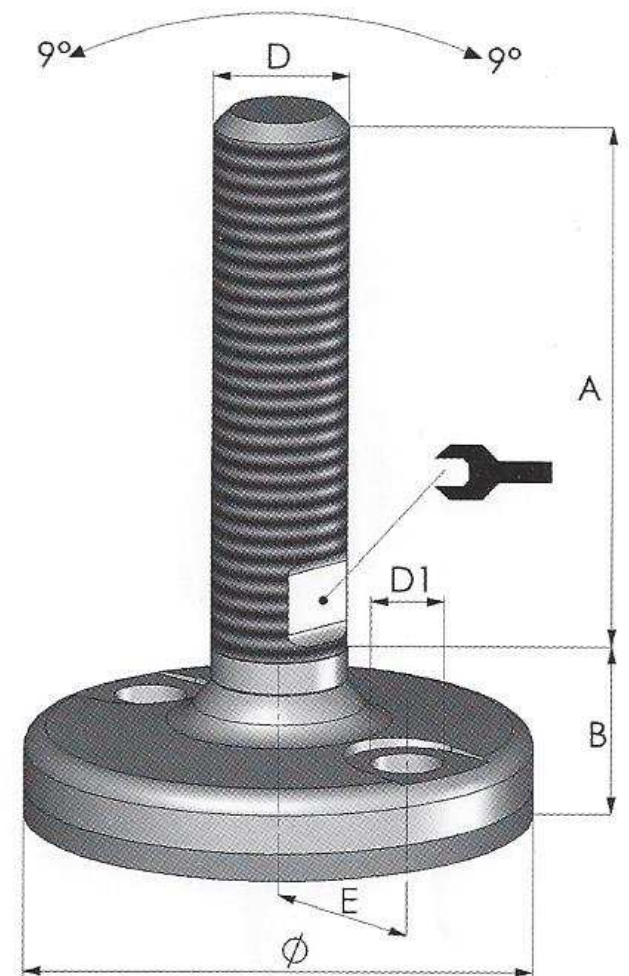
Also available with anti-slip rubber.



Version 316 disponible, ajouter le suffixe - 316SS

### Ordering example:

HJ90 - 5/8" - 4"




### Foot plate

	HJ 80	HJ 90	HJ 110	HJ 150
Diameter Ø	3.15"	3.54"	4.33"	5.91"
Height B with rubber	1,22"	1,22"	1,22"	1,22"
Height B w/o. rubber	1,02"	1,02"	1,02"	1,02"
Length E	1.06"	1.26"	1.73"	2.44"
Hole diameter D1	3/8"	1/2"	1/2"	5/8"
Nom. load	80.000 N	80.000 N	80.000 N	80.000 N

Foot plate and thread can be combined freely.

### Thread

Length A*	D	D	D	D	D	D
	1/2"UNC	5/8"UNC	3/4"UNC	7/8"UNC	1"UNC	1 1/4"UNC
4"	4,45	5,90	8,16	10,39	14,65	20,44
6"	5,07	7,03	10,06	13,42	18,70	25,06
8"	5,43	7,98	11,52	15,26	22,10	29,98
10"	6,10	9,11	13,41	17,34	26,58	37,40
	3/8"	1/2"	9/16"	5/8"	3/4"	1"