

TYPE HG

This high load capacity model has a flexible thread, and admits up to 9° slopes on floors and equipment.

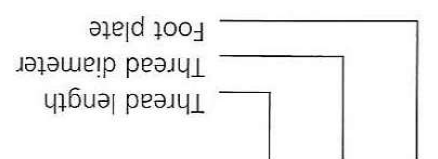
Smoothly rounded foot design for ease of cleaning.

Also available with anti-slip rubber.



Ordering example:

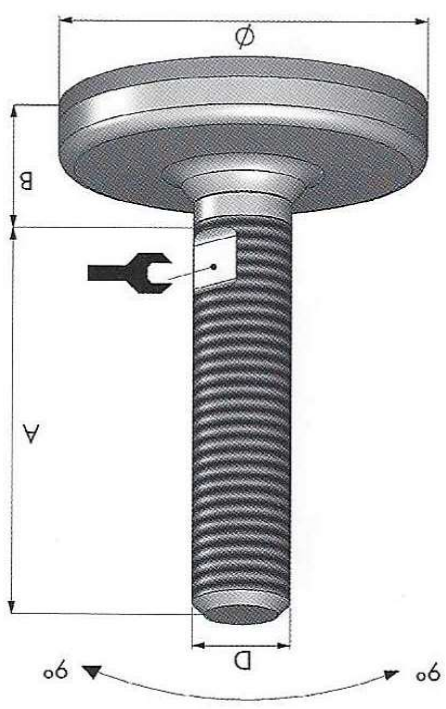
HG90 - 5/8" - 4"



Foot plate

Model	Diameter Ø	Height B with rubber	Height B w/o. rubber	Nom. load
HG 70	2.75"	1.22"	1.02"	80,000 N
HG 90	3.54"	1.22"	1.02"	80,000 N
HG 110	4.33"	1.22"	1.02"	80,000 N
HG 150	5.91"	1.22"	1.02"	80,000 N

Foot plate and thread can be combined freely.



Thread

Length A*	D	D	D	D	D	Wrench
4"	1/2"UNC	5/8"UNC	3/4"UNC	7/8"UNC	1"UNC	1 1/4"UNC
4.45	5.90	8.16	10.39	14.65	20.44	
5.07	7.03	10.06	13.42	18.70	25.06	
5.43	7.98	11.52	15.26	22.10	29.98	
6.10	9.11	13.41	17.34	26.58	37.40	
6.10	9.11	13.41	17.34	26.58	37.40	
6.10	9.11	13.41	17.34	26.58	37.40	