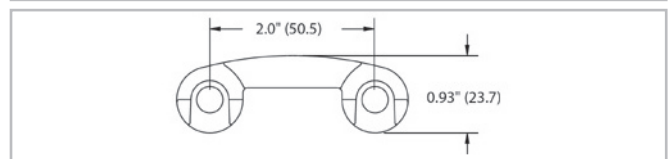
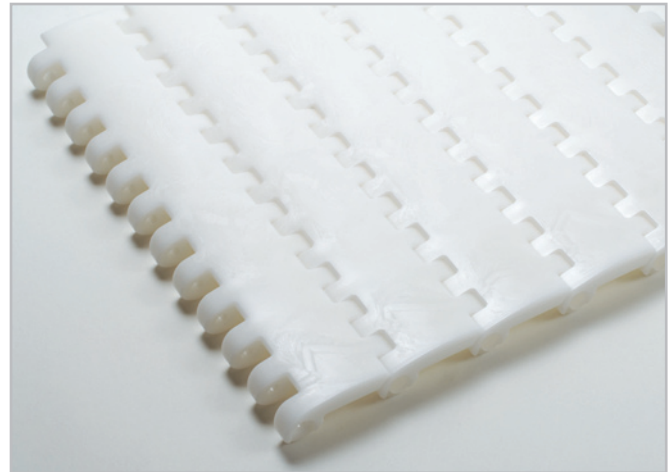


KVP® Straight 2" Pitch Belting HDU620 CT (Curved Top)



Description

- 2 inch pitch
- Reduced product contact and constant scraper contact capability
- Food approved materials
- Bi-directional
- Connecting rod diameter = 0.312 inch (7.9 mm)
- Standard belt width increments = 1 inch (25.4 mm) nominal, starting from 4 inches (101.6 mm)
- Material selection may affect belt width — please contact your local partner for actual dimensions

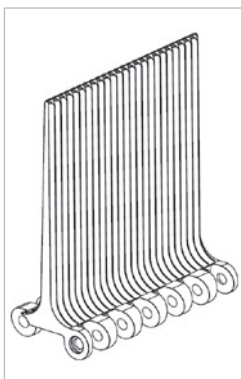


Belt data

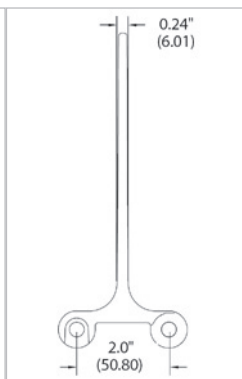
Belt material		PP	PE	POM	Nylon (PA +IM)
Rod material		PP	PE		
Nominal tensile strength F'_N straight run	N/m	26268	20430	30646	30646
	lb/ft	1800	1400	2100	2100
Temperature range	°C	5 - 105	-70 - 65	-40 - 65	-40 - 80
	°F	40 - 220	-94 - 150	-40 - 150	-40 - 176
Belt weight m_B	kg/m ²	7.8	8.0	11.5	10.0
	lb/sqft	1.59	1.64	2.35	2.05
Standard belt color		gray	white	white	cream

Additional belt colors and materials available, abrasive resistant Nylon (Polyamide) rods available – contact your local partner.

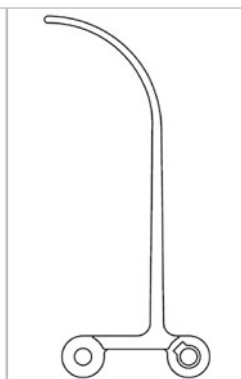
Belt accessories



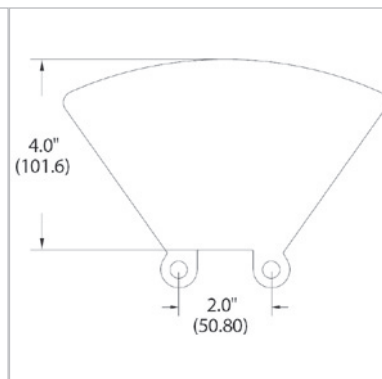
Easy release flight
Note: Available in 6" height only — all other dimensions are the same as Rough duty flight.



Rough duty flight
Rough duty flights available in standard 2', 4' & 6' heights.



Curved flight
Curved flights available in standard 4' & 6' heights.



Sideplate
Sideplates are available in standard 2', 3' & 4' heights. Please contact your local partner for indent specifications.

KVP® Straight 2" Pitch Belting HDU620 CT (Curved Top)



Product liability, application considerations

If the proper selection and application of Habasit products are not recommended by an authorized Habasit sales specialist, the selection and application of Habasit products, including the related area of product safety, are the responsibility of the customer.

All indications / information are recommendations and believed to be reliable, but no representations, guarantees, or warranties of any kind are made as to their accuracy or suitability for particular applications. The data provided herein are based on laboratory work with small-scale test equipment, running at standard conditions, and do not necessarily match product performance in industrial use. New knowledge and experiences can lead to modifications and changes within a short time without prior notice.

BECAUSE CONDITIONS OF USE ARE OUTSIDE OF HABASIT'S AND ITS AFFILIATED COMPANIES CONTROL, WE CANNOT ASSUME ANY LIABILITY CONCERNING THE SUITABILITY AND PROCESS ABILITY OF THE PRODUCTS MENTIONED HEREIN. THIS ALSO APPLIES TO PROCESS RESULTS / OUTPUT / MANUFACTURING GOODS AS WELL AS TO POSSIBLE DEFECTS, DAMAGES, CONSEQUENTIAL DAMAGES, AND FURTHER-REACHING CONSEQUENCES.