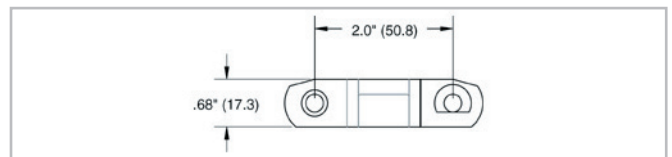
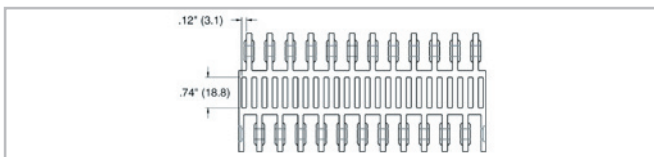


# KVP® Straight 2" Pitch Belting FF620 (Fluid-Flo)



## Description

- 2 inch pitch
- 35% open area
- Food approved materials
- Bi-directional
- Connecting rod diameter = 0.250 inch (6.4 mm)
- Standard belt width increments = 3 inch (76.2 mm) nominal, starting from 6 inches (152.4 mm)
- Non-standard widths available in 1/2 inch (12.7 mm) increments from 6 inches (152.4 mm) upon request
- Material selection may affect belt width — please contact your local partner for actual dimensions

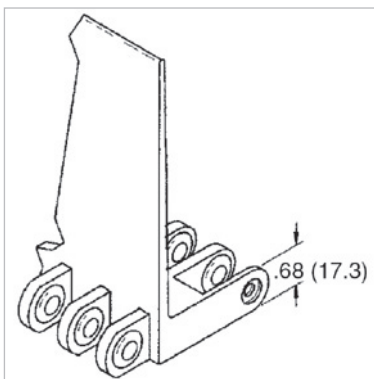


## Belt data

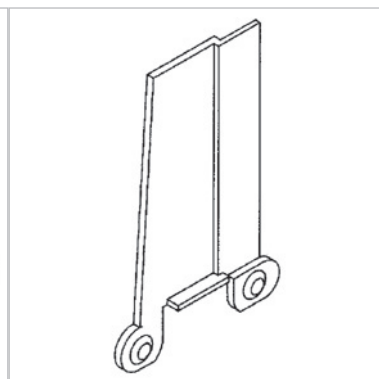
Belt material		PP	PP +GR	PE
Rod material		PP		PE
Nominal tensile strength $F'_N$ straight run	N/m	26268	21014	21014
	lb/ft	1800	1440	1440
Temperature range	°C	5 - 105	5 - 105	-70 - 65
	°F	40 - 220	40 - 220	-94 - 150
Belt weight $m_B$	kg/m <sup>2</sup>	7.5	8.4	7.9
	lb/sqft	1.53	1.72	1.62
Standard belt color		gray/white	tan	white

Additional belt colors and materials available, abrasive resistant Nylon (Polyamide) and stainless steel rods available - contact your local partner.

## Belt accessories



**Flights**  
Standard flights available in 1", 2", 3" and 4" heights.



**Sideplates**  
Sideplates available in standard 3" and 4" heights.  
Note: Sideplates must be indented a minimum of 1/8" from outside edge of belt.

# KVP® Straight 2" Pitch Belting FF620 (Fluid-Flo)



## **Product liability, application considerations**

If the proper selection and application of Habasit products are not recommended by an authorized Habasit sales specialist, the selection and application of Habasit products, including the related area of product safety, are the responsibility of the customer.

All indications / information are recommendations and believed to be reliable, but no representations, guarantees, or warranties of any kind are made as to their accuracy or suitability for particular applications. The data provided herein are based on laboratory work with small-scale test equipment, running at standard conditions, and do not necessarily match product performance in industrial use. New knowledge and experiences can lead to modifications and changes within a short time without prior notice.

BECAUSE CONDITIONS OF USE ARE OUTSIDE OF HABASIT'S AND ITS AFFILIATED COMPANIES CONTROL, WE CANNOT ASSUME ANY LIABILITY CONCERNING THE SUITABILITY AND PROCESS ABILITY OF THE PRODUCTS MENTIONED HEREIN. THIS ALSO APPLIES TO PROCESS RESULTS / OUTPUT / MANUFACTURING GOODS AS WELL AS TO POSSIBLE DEFECTS, DAMAGES, CONSEQUENTIAL DAMAGES, AND FURTHER-REACHING CONSEQUENCES.