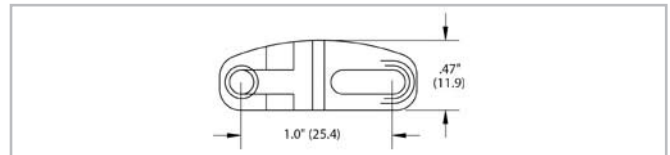
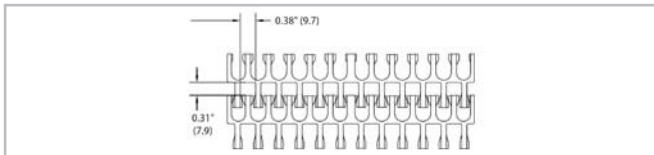
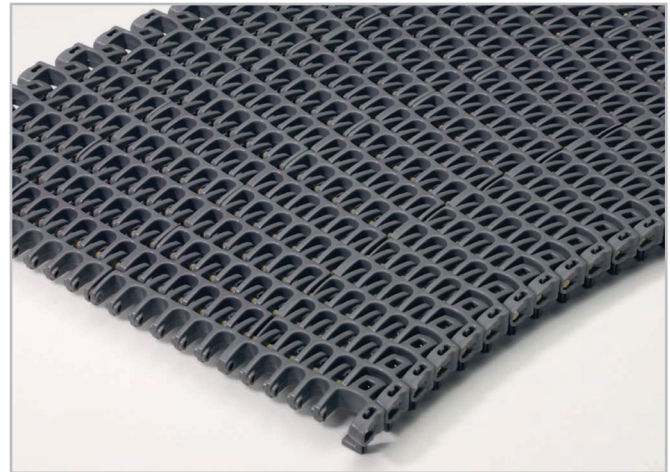


KVP® radius 1" pitch belting CT610-R (Radius Curved Top)



Description

- 1 inch pitch
- Belt turning radius equals 2.2 times the nominal belt width up to 24 inches (609.6 mm)
- Belt turning radius equals 2.5 times the nominal belt width over 24 inches (609.6 mm)
- 72% open area with reduced product contact and constant scraper contact capability
- Food approved materials
- Bi-directional
- Connecting rod diameter = 0.156 inch (4.0 mm)
- Standard belt width increments = 3 inch (76.2 mm) nominal, starting from 6 inches (152.4 mm)
- Non-standard widths available in 1/2 inch (12.7 mm) increments starting at 3 inches (76.2 mm) upon request
- Material selection may affect belt width — please contact your local partner for actual dimensions



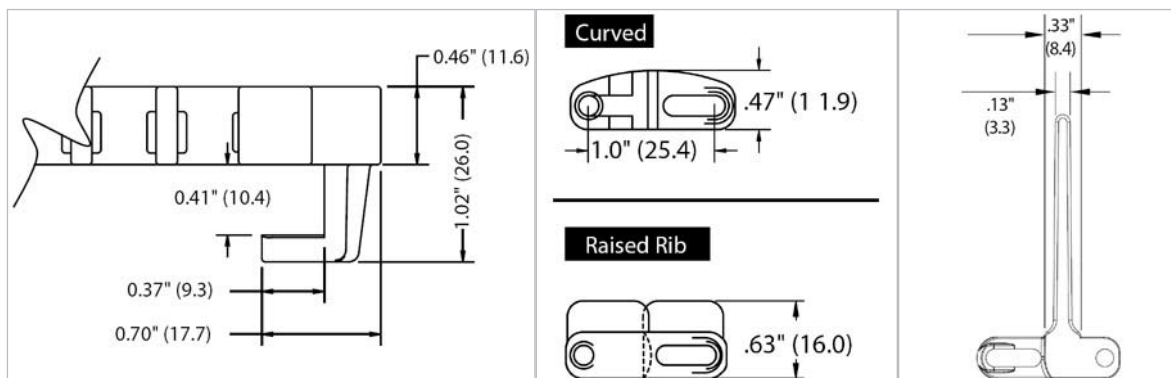
Belt data

Belt material		PP	POM	Nylon (PA 66)
Rod material		Nylon (PA)		
Nominal tensile strength F_N in curve ⁽¹⁾	N lbf	800 180	1334 300	1334 300
Temperature range	°C	5 - 105	-40 - 93	-40 - 118
	°F	40 - 220	-40 - 200	-40 - 245
Belt weight m_b	kg/m ²	4.0	5.9	5.0
	lb/sqft	0.81	1.20	1.03
Standard belt color		gray	blue/off-white	gray

Belts are available in PP (PP rods) and PE (PE rods) materials for straight applications

Additional belt colors and materials available - contact your local partner.

Belt accessories



Hold down tabs

Inserts

Note: Inserts may affect belt pull - please contact your local partner.

Standard flights

Standard flights are available in standard 1" and 2" heights. Standard flight indent is 1" or 3" from outside edge of belt.

KVP® radius 1" pitch belting CT610-R (Radius Curved Top)



Product liability, application considerations

If the proper selection and application of Habasit products are not recommended by an authorized Habasit sales specialist, the selection and application of Habasit products, including the related area of product safety, are the responsibility of the customer.

All indications / information are recommendations and believed to be reliable, but no representations, guarantees, or warranties of any kind are made as to their accuracy or suitability for particular applications. The data provided herein are based on laboratory work with small-scale test equipment, running at standard conditions, and do not necessarily match product performance in industrial use. New knowledge and experiences can lead to modifications and changes within a short time without prior notice.

BECAUSE CONDITIONS OF USE ARE OUTSIDE OF HABASIT'S AND ITS AFFILIATED COMPANIES CONTROL, WE CANNOT ASSUME ANY LIABILITY CONCERNING THE SUITABILITY AND PROCESS ABILITY OF THE PRODUCTS MENTIONED HEREIN. THIS ALSO APPLIES TO PROCESS RESULTS / OUTPUT / MANUFACTURING GOODS AS WELL AS TO POSSIBLE DEFECTS, DAMAGES, CONSEQUENTIAL DAMAGES, AND FURTHER-REACHING CONSEQUENCES.