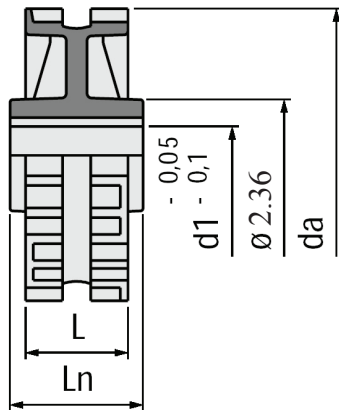
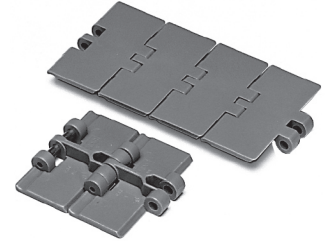


Split Sprocket #820



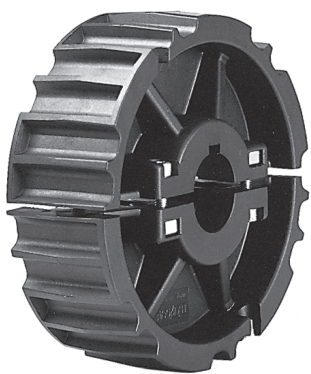
Material: Sprocket in reinforced polyamide (black).
Bolts in stainless steel AISI 304, nuts in nickel plated brass.

Fits Chains #820, 831, 810, 812, 815



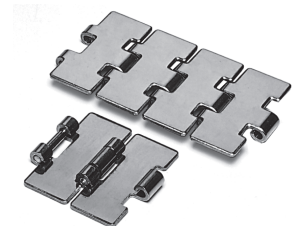
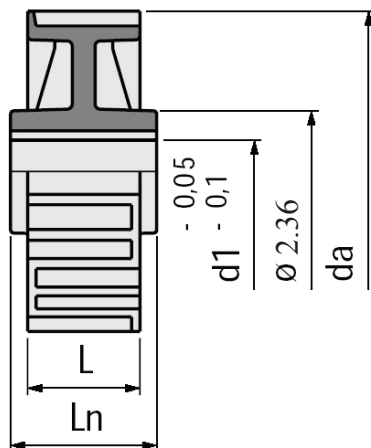
Part #	# Teeth	da	L	Ln	Bore d1
820-611102	19	4.62	1.58	1.58	Machined, stockbore
820-664391	21	5.09	2.01	2.05	1
820-664411	21	5.09	2.01	2.05	1-1/4
820-662741	23	5.59	2.01	2.05	1
820-662761	23	5.59	2.01	2.05	1-1/4
820-667331	25	6.07	1.58	1.58	Machined, stockbore
820-665611	25	6.07	2.30	2.13	1
820-665631	25	6.07	2.30	2.13	1-1/4
820-697091	25	6.07	2.30	2.13	1-1/2

Split Sprocket #810, 812, 815



Material: Sprocket in reinforced polyamide (black).
Bolts in stainless steel AISI 304, nuts in nickel plated brass.

Chain #810, 812, 815, 881M



Part #	# Teeth	da	L	Ln	Bore d1
815-600000	19	4.62	1.58	1.58	stockbore
815-663931	21	5.09	2.01	2.05	1
815-663991	21	5.09	2.01	2.05	1-1/4
815-665411	25	6.07	2.30	2.13	1
815-665451	25	6.07	2.30	2.13	1-1/4
815-665491	25	6.07	2.30	2.13	1-1/2