

Radius Accessories

Swivel pin connections

- Use for conveyors with format change
- They allow an easy regulation of product guides on corner tracks.
- To adjust the guide rail with format change, untighten the knobs of the brackets and slide along the parallel pins until the required width.

- Material : body in reinforced Polyamide PA FV (black). Bolt in stainless steel AISI 304. Nut in nickel plated brass.
- Eyebolt :
- in reinforced polyamide (for Part. 739),
- in stainless steel AISI 304 (for Part. 740).

Part # **739-695522**

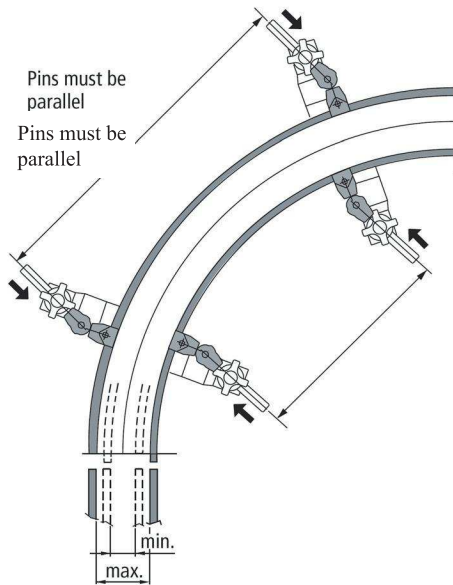
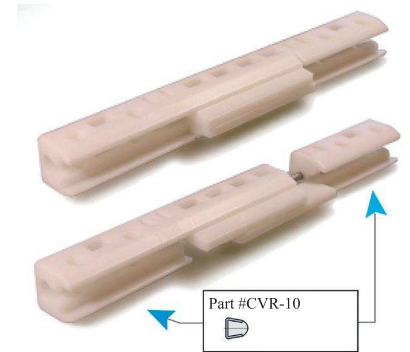
Part # **740-695532**



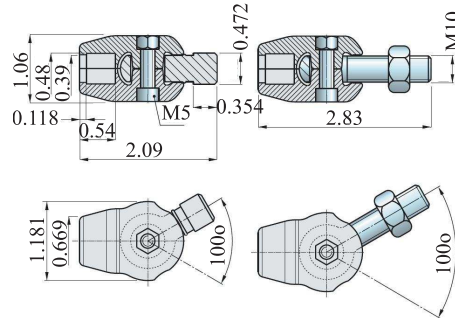
Part #739

Part #740

Part # **736-695402**



For rod specifications, see page 25



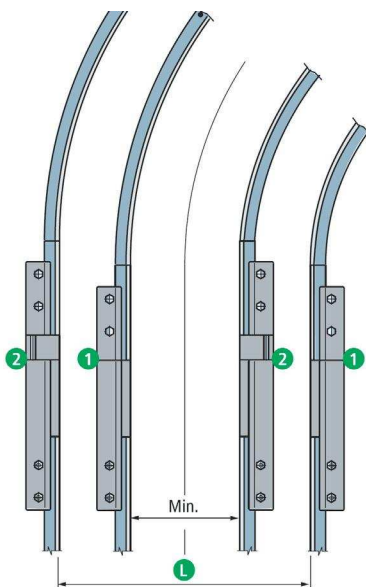
Note:

- Part #739-695522 fits clamp #210-600372 (page 18) and #82B (page 22)
- Part #740-695532 fits clamp #213 (page 20) clamp #217 (page 17) and also fits stainless steel profil #537-689231 (page 56).

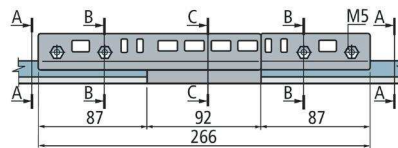
Sliding joint clamp

- The clamps allows the junction of straight tracks with corner tracks.
- Ideal to adjust the length of side guides near the curves when width adjustment is needed.

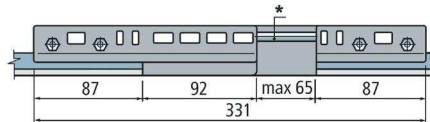
- Material : clamp in acetal (white).
- Guiding pins in stainless steel AISI 303.
- Tightening bolt in stainless steel AISI 304.
- Maximum recommended tightening torque : 0,4 Kgm.



Sliding joint clamp fully closed



Sliding joint clamp fully open



Rail #CVR-10



Dimensions shown are metric.

- 1 - Closed clamp
- 2 - Open clamp
- L - Size changing width