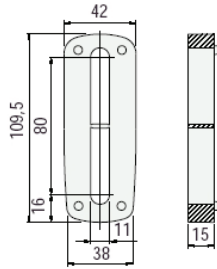
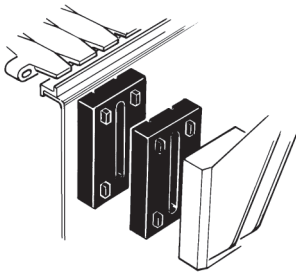


Accessories

Part # **725-688762**

For use with brackets #632, 637

Spacer
Supplied in black polyamide



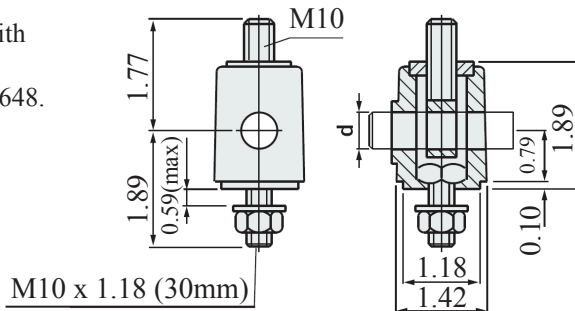
All dimension shown are metric



Swivel head

Supplied in black polyamide with stainless steel hardware.
Can be used with base #632 / #648.

Available
1/2" or 5/8"



M10 x 1.18 (30mm)

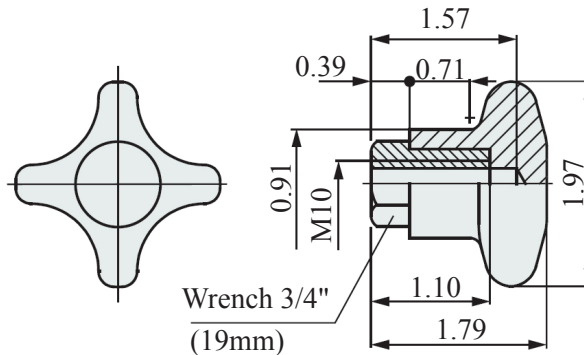
Code	d
256-64561	1/2"
256-64581	5/8"



Hand knob

Supplied in black polyamide with nickel plated brass insert.
Can be used with head #256.

Part # **182-54911**



Swivel head

Supplied in black polyamide with stainless steel hardware, with 1/2" bore.
Can be used with base #632 or 648.

Part # **255-685281**

