

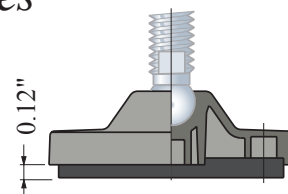
# Leveling Pad



- Footplate material : reinforced polyamide PA FV ( black ).
- Anti-slip pad supplied separately.

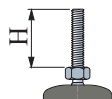
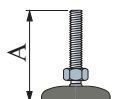
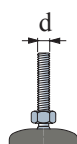
## Accessories

Anti-slip pad



- **Code : 630062**
- Material : NBR rubber (black), 70 Shore.
- Assembly : Press-fit.

4.33" Base Diameter



Spindle Type



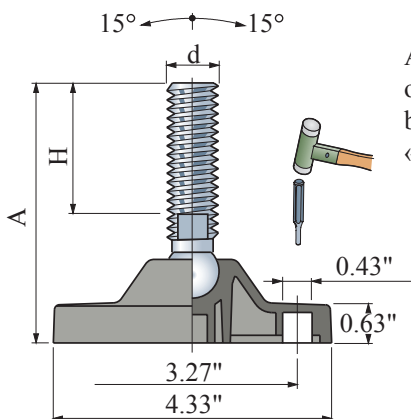
Max. Load



Thread d	Height A	Thread Length H	Spindle Type	Wrench	Max.Load	Spindle in stainless steel AISI 303 Code	Spindle in zinc plated steel Code
5/8" unc	6.38"	4.30"	0.96"	0.94" (24)	4500 lbs	479-659692	-
	8.18"	5.90"	<b>0.96"</b> *	0.94" (24)	4500 lbs	479-653131	479-653161
3/4" unc	7.76"	5.68"	0.96"	0.94" (24)	4500 lbs	479-659792	479-659972
	11.22"	9.01"	0.96"	0.94" (24)	4500 lbs	479-659802	

\*Polyamide ball Maximum applicable load in static conditions.

Low volume



Anchor holes,  
obtainable by  
breaking  
«diaphragm».