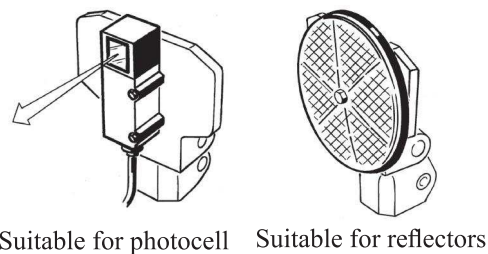
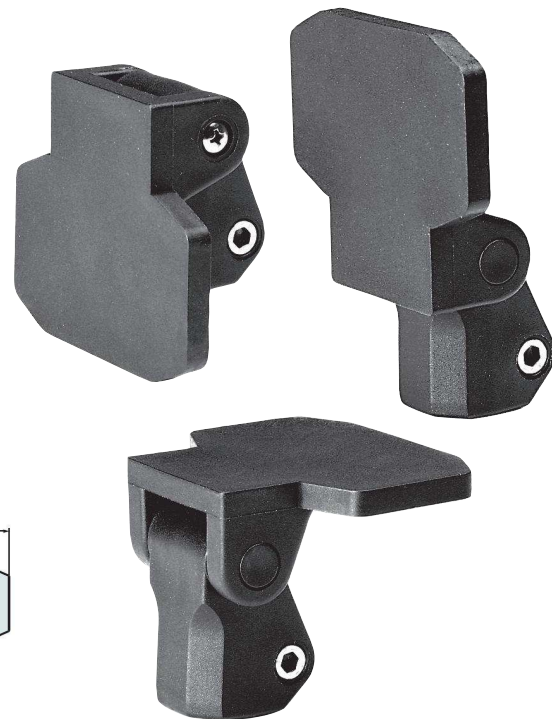
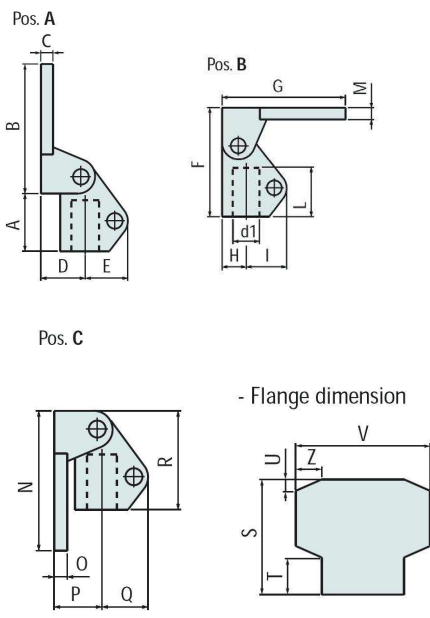
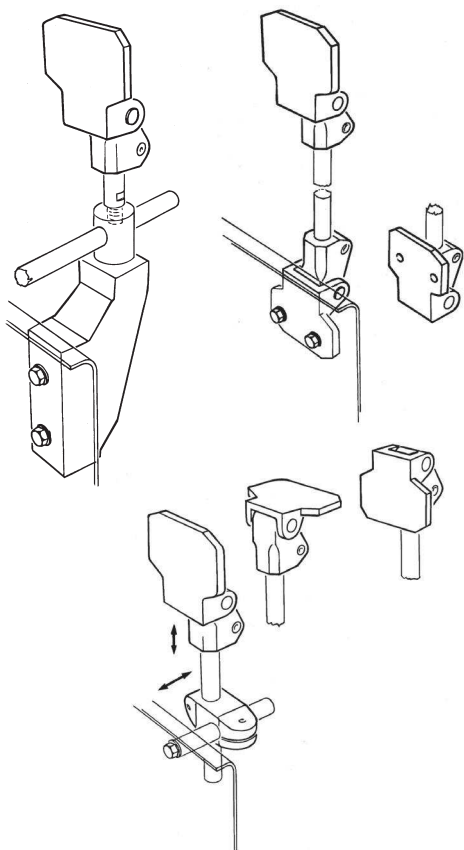


Can be mounted to fit most conveyor configurations.

Photocell Accessories

Part # 372-61806

Photocell holder is supplied in black polyamide with 5/8" round bore.
Hardware is supplied in stainless steel.
Maximum recommended tightening torque: 130 in lb



Dim	Inch	Dim	Inch
A	1.32	N	2.93
B	2.93	O	0.28
C	0.28	P	0.98
D	1.00	Q	0.96
E	0.96	R	2.20
F	2.60	S	2.93
G	2.93	T	0.93
H	0.57	U	0.30
I	0.96	V	3.43
L	1.36	Z	0.67
M	0.28		

