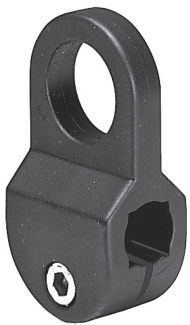
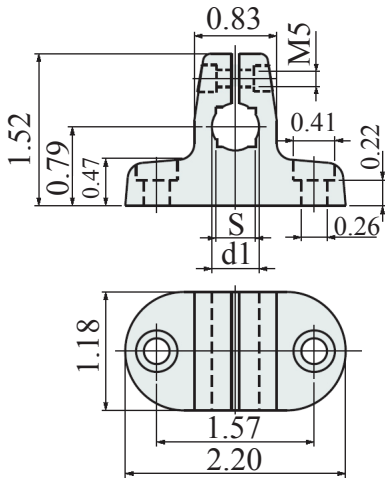


# Photocell Accessories



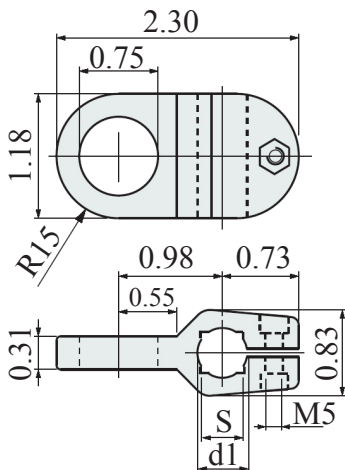
Side mounting clamp  
Supplied in black polyamide with  
stainless steel hardware

Code	d1 / S
339-611063	1/2" round or 7/16" square
339-68363	10mm round or 8mm square
339-68375	12mm round or 10mm square



Clamp for photocell or sensor  
Supplied in black polyamide with  
stainless steel hardware

Code	d1 / S
341-611073	1/2" round or 7/16" square
341-68383	10mm round or 8mm square
341-68395	12mm round or 10mm square



## Other Photocell Accessories

10mm round tubes with end plugs



Tube : Part # 344-69713-length  
Plug : Part # 343-69703

Clamp 341C-67215 also available  
for "clip-on" reflectors.



Part # 341C-67215  
(10mm)

Photocell holder, can also be used  
to install reflectors.



Part # 372-61806 (5/8")

