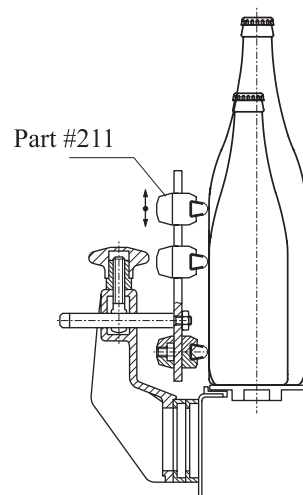
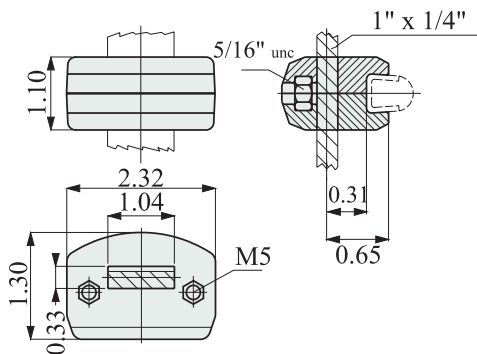


# Rail Clamps

## Part # 211-691201

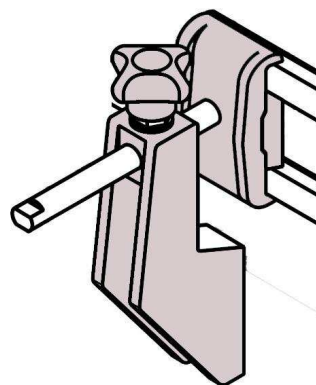
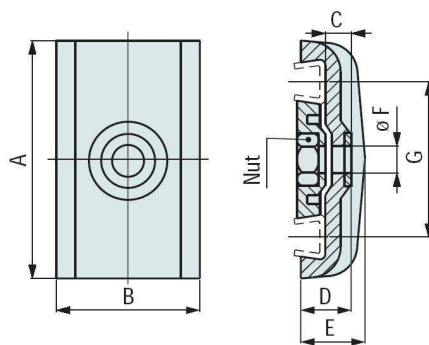
Clamp #211 is supplied in polyamide with stainless steel hardware

Assembly of guide rail clamp #211 allows unlimited height adjustment



## Part # 213-61261

Double rail clamp in polyamide



Dim	Inch
A	3.66
B	2.20
C	0.43
D	0.83
E	0.98
F	0.41
G	2.48
NUT	3/8 UNC



For rod specifications, see page 25