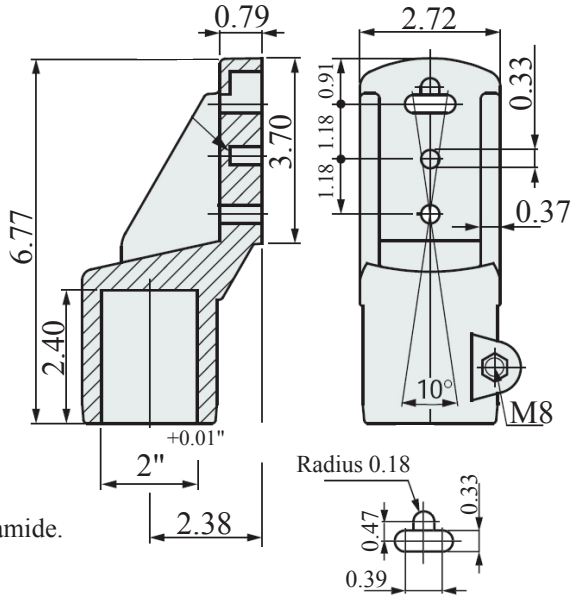
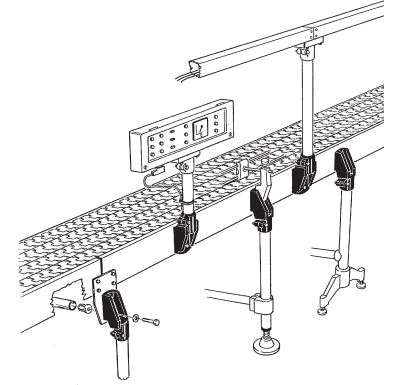


# Frame Support Components

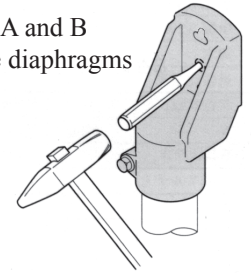
## Part # 199-664771



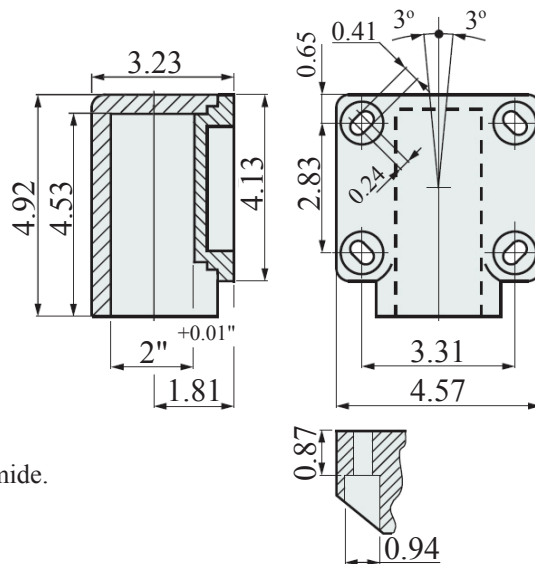
Material : Black reinforced polyamide.  
Stainless steel hardware.  
Fits 2" outside diameter tube.



To use holes A and B  
break out the diaphragms



## Part # 168-664751



Material : Black reinforced polyamide.  
Hardware not included  
Fits 2" outside diameter tube.

