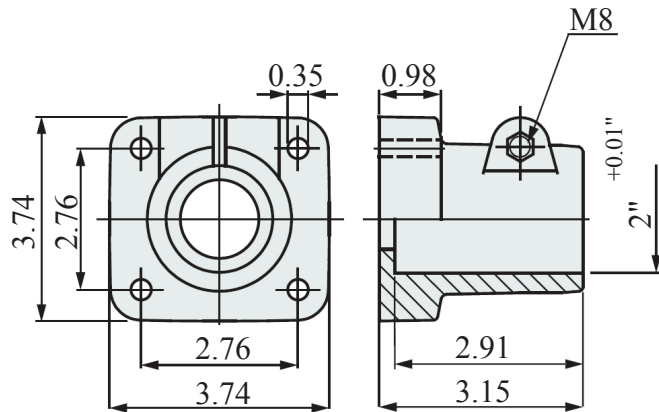
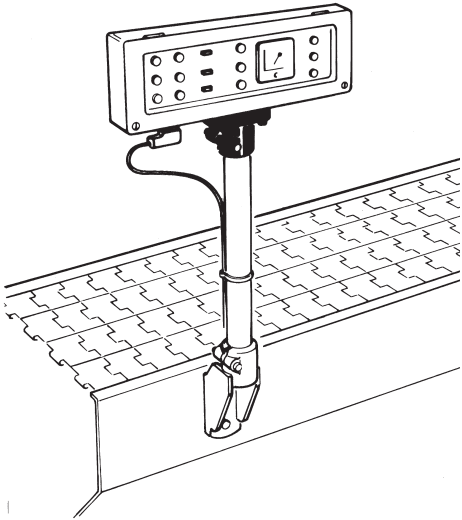


Frame Support Components

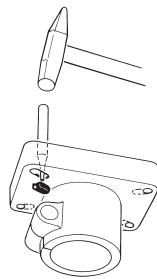
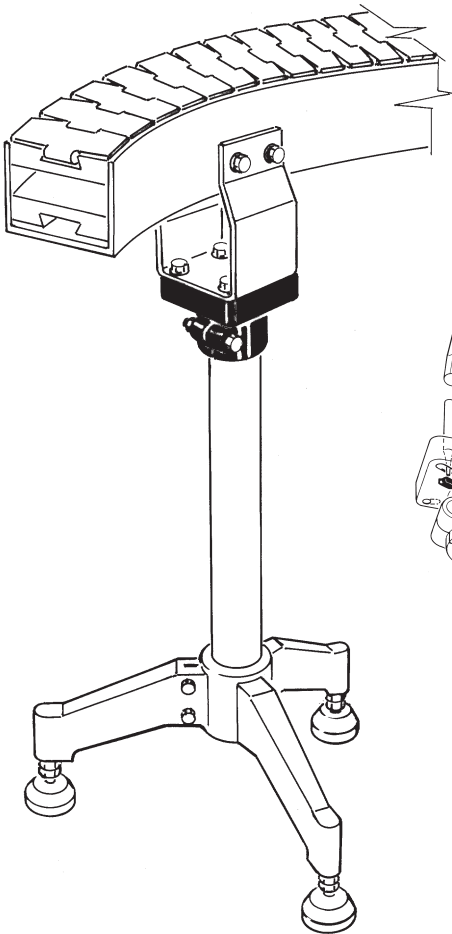
Part # 198-664761

Material : Black reinforced polyamide.
Stainless steel hardware.
Fits 2" outside diameter tube.



Part # 280-664781

Material : Black reinforced polyamide.
Stainless steel hardware.
Fits 2" outside diameter tube.



To obtain the fixing centre holes with dimensions 3.62" x 2.17" breakout the diaphragm.

