

UCF Grub screw Watertight Solid

BEARINGS SUPPORTS

The UCF watertight bearings - solid version are made in reinforced polyamide with good mechanical strength and excellent resistance against corrosive chemicals such as water, oils, petrol and liquids containing alcohol. The bearing has a watertight PP cover for sealing, preventing dirt and bacteria from penetrating and increasing the life of the insert. Bearings are made in chrome steel or in stainless steel, with 2,5° adjustment. The grease nipple is made in nickel plated steel for chrome steel bearings and stainless steel for SS bearings, not available for the "Long life" version (without hole).



4-HOLES SOLID BEARING SUPPORT WATERTIGHT UCF 205 d 1" OPEN I70 mm98X98

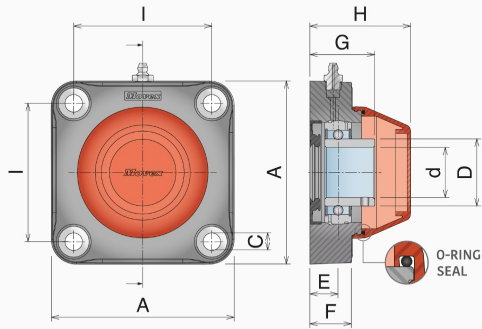
Article-Nr: P83101Q

Technical features

Series	UCF
Type	Watertight (cap)
Fixation	4-holes
Unit of measure	Ea
Material	Plastic
Version	Solid
Fixing method	Grub screw
A:	3.858 in
Operating Temperature °C:	-32÷194 °F
D:	1.339 in

E:	0.630 in
C:	0.433 in
F:	0.866 in
G:	1.398 in
H:	2.028 in
Bearing material:	Chrome steel
Watertight (Safety cap):	Yes, open cap
Shaft diameter:	1"
I (holes distance) :	2.756 in
Shaft adjustment:	2.5°
Housing:	Housing in reinforced polyamide
Bearing:	Chrome steel or stainless steel ball bearing (pre-lubricated)
Spacers:	Nickel-plated brass mounting hole spacers
Grease nipple:	Nickel plated steel or SS grease nipple M6 conical (No for "Long life")
Washers:	Stainless steel washers
Cap:	Polypropylene open cap with O-ring seal & NBR top seal
Seal:	NBR bottom seal

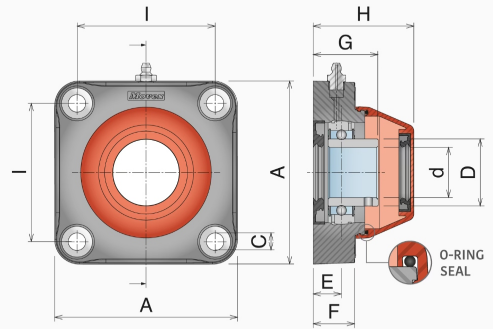
Closed version



Movex

© Copyright Movex® S.p.A.

Open version



Movex

© Copyright Movex® S.p.A.