

# UCF Grub screw Watertight Solid

## BEARINGS SUPPORTS

The UCF watertight bearings - solid version are made in reinforced polyamide with good mechanical strength and excellent resistance against corrosive chemicals such as water, oils, petrol and liquids containing alcohol. The bearing has a watertight PP cover for sealing, preventing dirt and bacteria from penetrating and increasing the life of the insert. Bearings are made in chrome steel or in stainless steel, with 2,5° adjustment. The grease nipple is made in nickel plated steel for chrome steel bearings and stainless steel for SS bearings, not available for the "Long life" version (without hole).



## 4-HOLES SOLID BEARING SUPPORT WATERTIGHT UCF 206 d 1,25" CLOSER I83 mm110X110

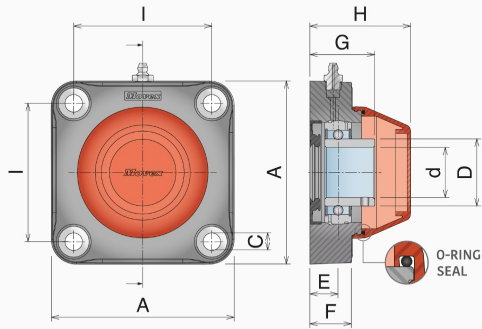
Article-Nr: P83002Q

### Technical features

<b>Series</b>	UCF
<b>Type</b>	Watertight (cap)
<b>Fixation</b>	4-holes
<b>Unit of measure</b>	Ea
<b>Material</b>	Plastic
<b>Version</b>	Solid
<b>Fixing method</b>	Grub screw
<b>A:</b>	4.331 in
<b>Operating Temperature °C:</b>	-32÷194 °F
<b>D:</b>	1.587 in

<b>E:</b>	0.669 in
<b>C:</b>	0.433 in
<b>F:</b>	0.984 in
<b>G:</b>	1.535 in
<b>Bearing material:</b>	Chrome steel
<b>Watertight (Safety cap):</b>	Yes, closed cap
<b>Shaft diameter:</b>	1,25"
<b>I (holes distance) :</b>	3.268 in
<b>Shaft adjustment:</b>	2.5°
<b>Housing:</b>	Housing in reinforced polyamide
<b>Bearing:</b>	Chrome steel or stainless steel ball bearing (pre-lubricated)
<b>Spacers:</b>	Nickel-plated brass mounting hole spacers
<b>Grease nipple:</b>	Nickel plated steel or SS grease nipple M6 conical (No for "Long life")
<b>Washers:</b>	Stainless steel washers
<b>Cap:</b>	Polypropylene closed cap with O-ring seal
<b>Seal:</b>	NBR bottom seal

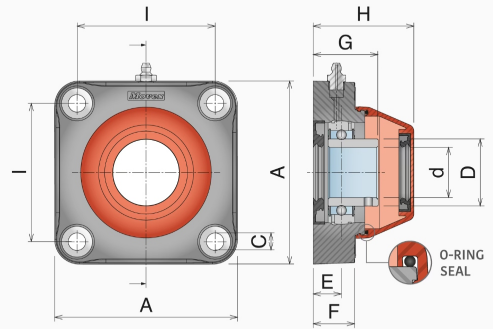
Closed version



Movex

© Copyright Movex® S.p.A.

Open version



Movex

© Copyright Movex® S.p.A.