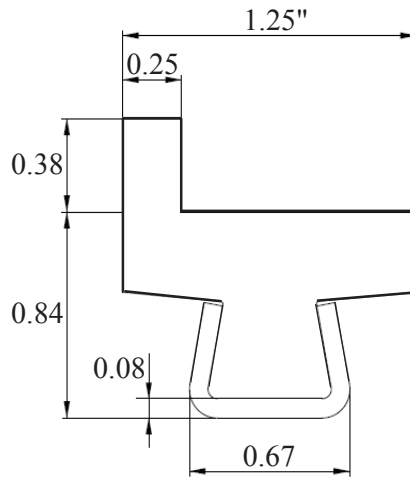
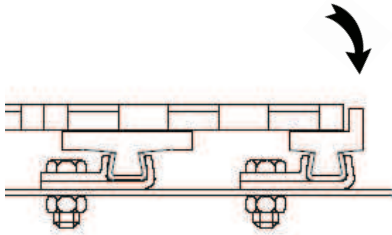


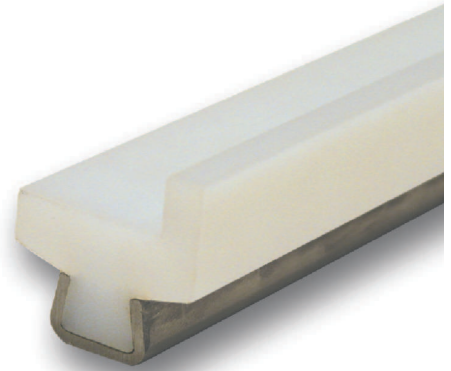
Guide rail L shape

• Part # **CVR-55S**

used as modular belt support



Tolerance: +/- 0.030



Standard length is 10 feet

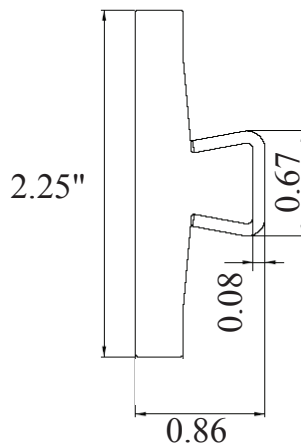
Note: The height offered on product CVR-55S matches height on products CVR16 and CVR37.

Guide rail 2-1/4" wide

• Part # **CVR-37**

Tolerance: +/- 0.030
Min. bend radius: 7.9"

See page 19 for guide rail clips



Standard length is 10 feet