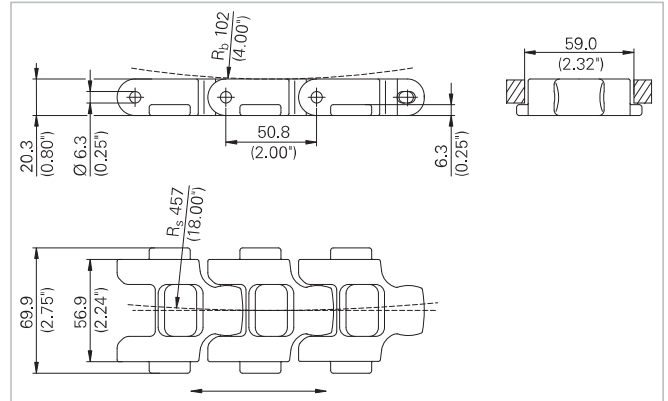


HabaCHAIN®

Case chain 1210T (radius)

Description

- Radius running plastic tab chain
- The 1210T series is identical to the 3210T series except for the material variety, the sideflexing radius and the available accessories
- Designed for bi-directional travel



Chain data

Habasit code	Width W		Weight		Nominal tensile strength		R _s		Material
	mm	inch	kg/m	lb/ft	N	lbf	mm	inch	
C1210P0224DPTA	57.0	2.24	1.35	0.91	2500	563	457	18.0	DP
C1210P0224HTTA	57.0	2.24	1.35	0.91	2500	563	457	18.0	HT

Pin material: stainless steel

- Standard packaging: 3,048 m = 10ft
- The weight specification is indicative
- Other materials on request

Related products

- Solid sprockets – Series 1200 (see page 111)