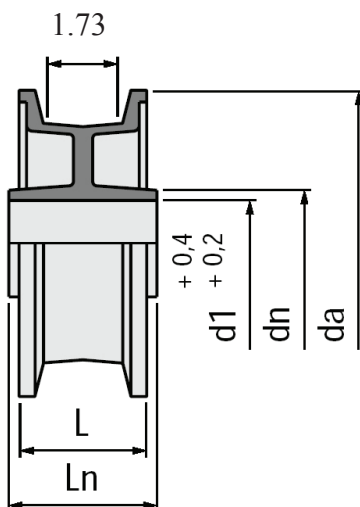
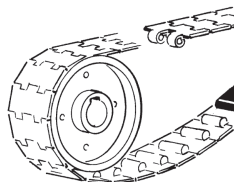


Material: Idler in reinforced polyamide (black).

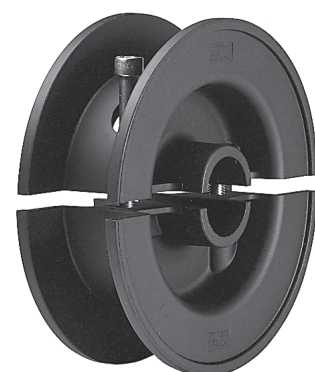
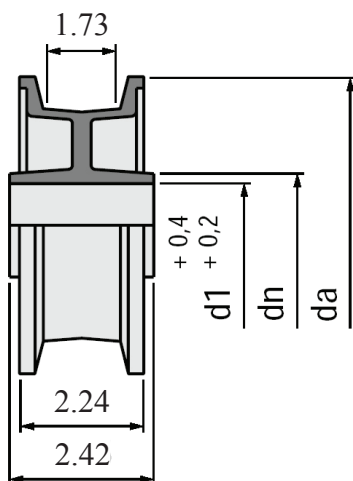
Solid Idlers #810, 812, 815, 820



Part #	# Teeth	da	dn	L	Ln	Bore d1
820-619132	21	5.12	1.40	2.36	2.42	1
820-688801	21	5.12	1.64	2.36	2.42	1-1/4
820-619142	25	6.08	1.40	2.36	2.42	1
820-661761	25	6.08	1.64	2.36	2.42	1-1/4

Material: Idler in reinforced polyamide (black).
Bolts in stainless steel AISI 304, nuts in nickel plated brass.

Split Idlers #810, 812, 815, 820



Part #	# Teeth	da	dn	Bore d1
820-619152	21	5.12	1.58	1
820-619162	21	5.12	1.97	1-1/4
820-619172	25	6.08	1.58	1
820-655612	25	6.08	1.97	1-1/4
820-604386	25	6.08	1.97	1-1/2