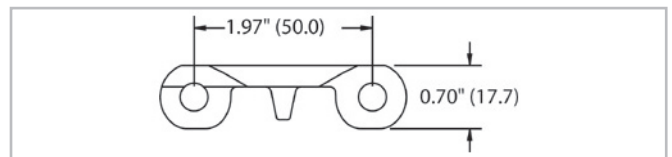
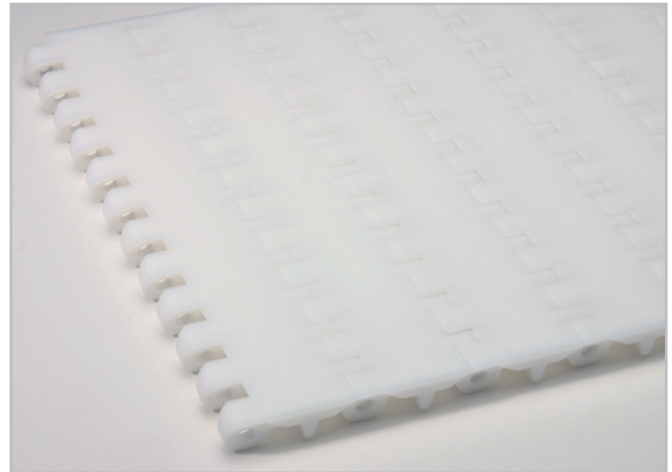


KVP® Straight 2" Pitch Belting 416 CLIB (416 Closed Impact Bar)



Description

- 2 inch pitch
- Solid top surface
- Food approved materials
- Bi-directional
- Connecting rod diameter = 0.312 inch (7.9 mm)
- Standard belt width increments = 1 inch (25.4 mm) nominal, starting from 6 inches (152.4 mm)
- Material selection may affect belt width — please contact your local partner for actual dimensions

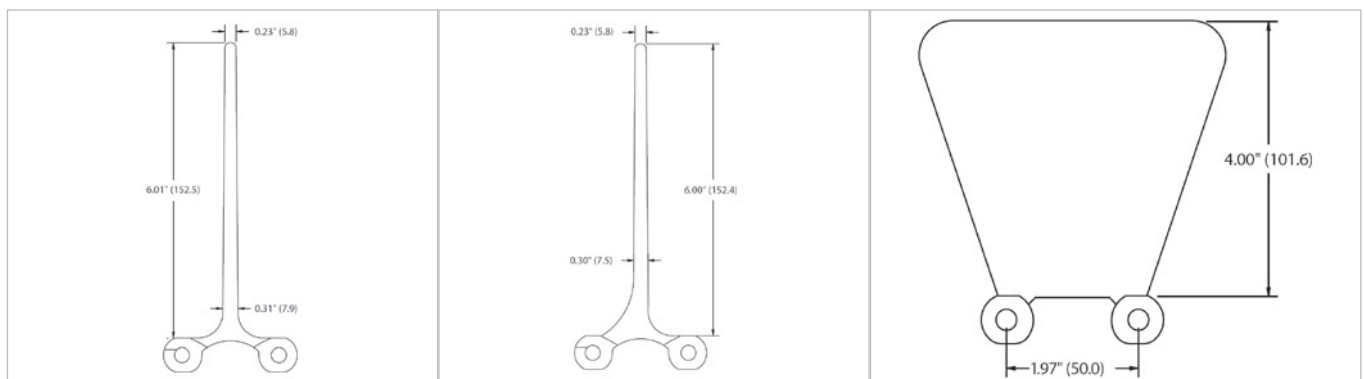


Belt data

Belt material		PP	PE	POM
Rod material		PP	PE	PP
Nominal tensile strength F'_N straight run	N/m	14886	13100	21900
	lb/ft	1020	900	1500
Temperature range	°C	5 - 105	-70 - 65	5 - 93
	°F	40 - 220	-94 - 150	40 - 200
Belt weight m_B	kg/m ²	7.5	7.5	11.1
	lb/sqft	1.54	1.54	2.28
Standard belt color		white	white	white

Additional belt colors and materials available, abrasive resistant Nylon (Polyamide) rods available – contact your local partner.

Belt accessories



Standard flight
Standard flights available in 6" heights.

Rough duty flight
Rough duty flights available in 6" heights.

Sideplate
Sideplates available in standard 2' & 4' heights. Do not use with 8 & 10 tooth sprockets. Sprockets must be big enough to keep plates from hitting each other. Note: Sideplates must be indented a minimum of 1-1/4" fr

KVP® Straight 2" Pitch Belting 416 CLIB (416 Closed Impact Bar)



Product liability, application considerations

If the proper selection and application of Habasit products are not recommended by an authorized Habasit sales specialist, the selection and application of Habasit products, including the related area of product safety, are the responsibility of the customer.

All indications / information are recommendations and believed to be reliable, but no representations, guarantees, or warranties of any kind are made as to their accuracy or suitability for particular applications. The data provided herein are based on laboratory work with small-scale test equipment, running at standard conditions, and do not necessarily match product performance in industrial use. New knowledge and experiences can lead to modifications and changes within a short time without prior notice.

BECAUSE CONDITIONS OF USE ARE OUTSIDE OF HABASIT'S AND ITS AFFILIATED COMPANIES CONTROL, WE CANNOT ASSUME ANY LIABILITY CONCERNING THE SUITABILITY AND PROCESS ABILITY OF THE PRODUCTS MENTIONED HEREIN. THIS ALSO APPLIES TO PROCESS RESULTS / OUTPUT / MANUFACTURING GOODS AS WELL AS TO POSSIBLE DEFECTS, DAMAGES, CONSEQUENTIAL DAMAGES, AND FURTHER-REACHING CONSEQUENCES.