

# Ratchet Handle

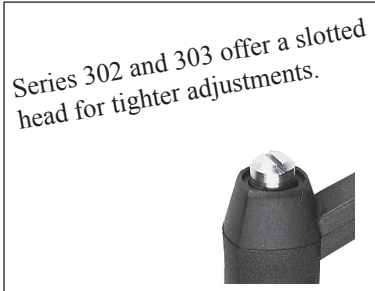
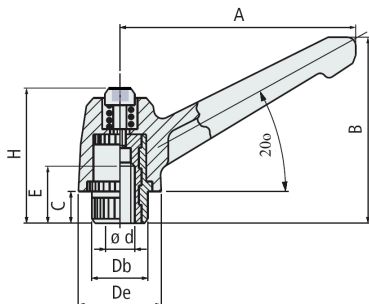
•Glass-fiber reinforced polyamide based (PA) technopolymer lever body.

(Resistant to solvents, oils, grease and other chemical agents.)

•Black standard color with matte finish.

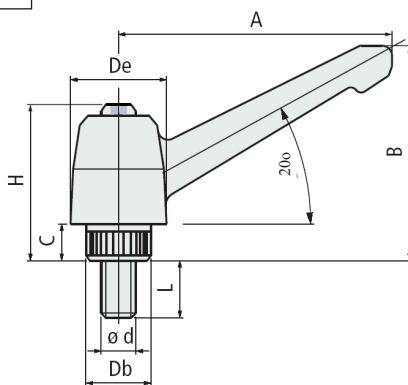
Particularly suitable when lever turning angle is limited owing to lack of space.

To adjust during clamping, lift lever to disengage clamping device toothing and bring it back to start position. By releasing the lever the return spring automatically engages toothing once again.



Series 302 and 303 offer a slotted head for tighter adjustments.

Stainless Steel or Zinc Plated Thread.



Other sizes available, contact us for details.

## Brass Insert

Code	Thread	A
141141	M6	1.65
142121	M10	3.15
941141	1/4-20	1.65
302-60852	5/16-18	2.17
941421	5/16-18	2.48
942111	5/16-18	3.15
942121	3/8-16	3.15

## Stainless Steel Insert

Code	Thread	A
141191	M6	1.65
141425	M8	2.48
941191	1/4-20	1.65
941431	5/16-18	2.48
942151	3/8-16	3.15

For complete dimension information, please contact CRS/VAMIC.

## Zinc Plated Thread

Code	Thread	A
141501	M8 x 16mm	2.48
941331	1/4-20 x 1	1.65
941341	1/4-20 x 1-1/2	1.65
941521	5/16-18 x 1	2.48
942221	3/8-16 x 1-1/4	3.15
942231	3/8-16 x 1-1/2	3.15

## Stainless Steel Thread

Code	Thread	A
303-60922	M6 x 20mm	1.57
303-60872	M8 x 25mm	2.17
624MB8X40	M8 x 40mm	2.48
303-60942	M10 x 30mm	3.11
303-60912	1/4-20 x 3/4	1.57
941365	1/4-20 x 3/4	1.65
941611	5/16-18 x 3/4	2.48
941615	5/16-18 x 1	2.48
303-60932	3/8-16 x 1.2	3.11

For complete dimension information, please contact CRS/VAMIC.