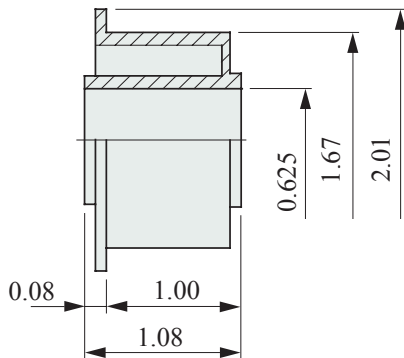
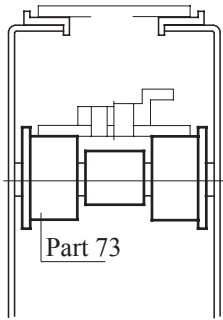


Chain Return Single Rollers

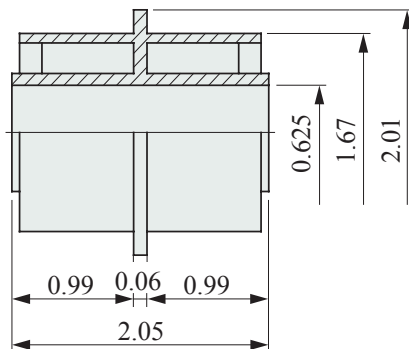
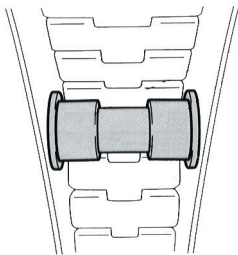
Part # 73-62946



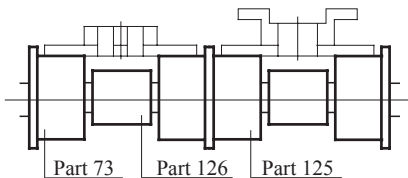
Material : Black PA Polyamide

Chain Return Double Rollers

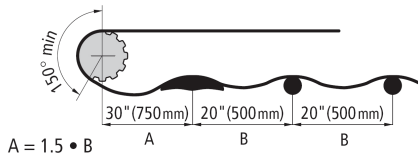
Part # 125-63908



Material : Black PA Polyamide



- Positioning



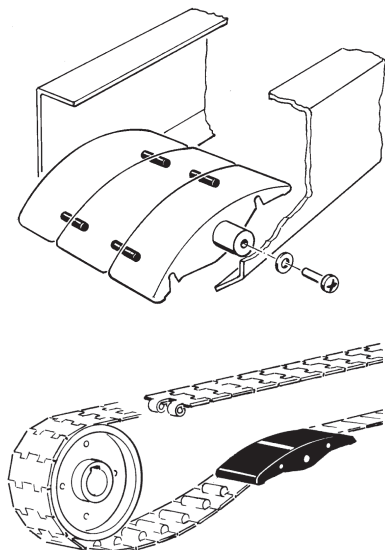
Chain return shoes are installed with flexibility enabling them to adjust with the chain movement.

Material : PE polyethylene (green). Can be used for both plastic and metal chains.

Chain Return Shoe

Part # 153-684231N

Shoes can be fastened together



Snap-on assembly

