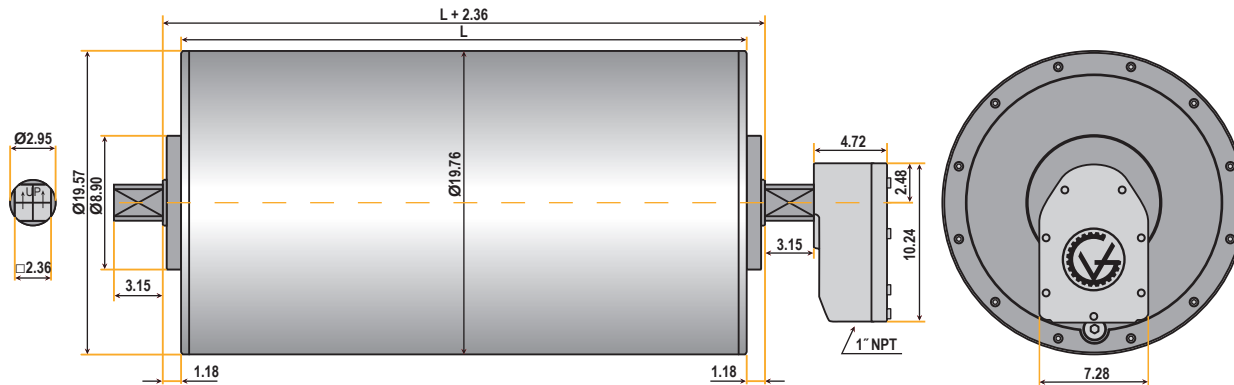


# TM500A75 SERIES (20.0" diameter)



## DIMENSIONS (in inches)

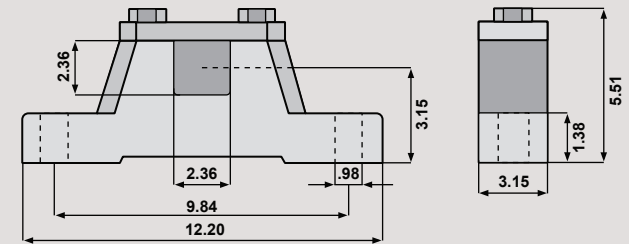
### TM500A75 Drum Motor (matching Idler KT500A75\*\*)



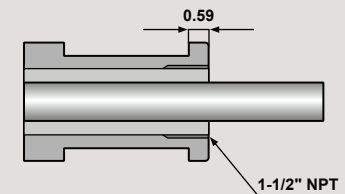
Standard face widths\* (L) in inches:

33.46	35.43	37.40	39.38	41.34	43.31	45.28	47.24	49.21
51.18	53.15	55.12	57.09	59.06	61.02	62.99	64.96	66.93
68.90	70.87							

### Bracket AB 75



### Optional Cable Type



Note: When Optional Cable Type is selected, the minimum face width (L) increases by 5.91 inches.

\*Some face widths are not available in all horsepower. For minimum available face widths refer to TM500A75 Specifications.

\*\*Idler dimensions are identical to the drum motor with no junction box.